

Suncoast

CUSTOM AMPLIFICATION

G2p GUITAR PREAMP

OWNERS MANUAL

Rev E



Copyright 2016, Sluggo Music Technology LLC
All Rights Reserved.

Sluggo Music Limited Warranty

Sluggo Music Technology LLC warrants this product to be free of defects in material and workmanship for the period of one year from the date of original purchase. This warranty is only applicable to the original retail purchaser. To be protected by this warranty, the purchaser must complete and return the enclosed warranty card within 14 days of the date of purchase. During the warranty period Sluggo Music shall, at its sole discretion, either repair or replace, free of charge, any product that it deems to be defective upon inspection by Sluggo Music Technology LLC or its **authorized service representative**. To obtain warranty service, the purchaser must first obtain a Return Authorization Number from our service department and shipping address where to return the unit for service. All authorized returns must be sent to our service department postage prepaid, insured for full replacement value, properly packaged and accompanied with a description of the problem. Sluggo Music reserves the right to update any unit returned for repair and the right to change or improve the design of the product at any time without prior notice. This warranty does not cover claims for damage due to abuse, neglect, alteration or attempted repair by unauthorized personnel, and is limited to failures arising during normal use that are due to defects in material or workmanship in the product only. Any warranties, including implied warranties of merchantability and fitness for a particular purpose, are limited in duration to the length of this original warranty. In no event will Sluggo Music Technology LLC be liable for incidental or consequential damages resulting from the breach of any express or implied warranty including damage to property, damage based on inconvenience or loss of use of the product, and personal injury to the extent permitted by law. This warranty gives you specific legal rights, which may vary from state to state. This warranty applies only to products sold in the United States of America. For warranty information in all other countries please refer to your local distributor.

Sluggo Music Technology LLC
P.O. Box 913
Dunedin, FL 34697-0913
(727) 247-2520

sales@sluggomusic.com
service@sluggomusic.com

**SUNCOAST™ is a trademark of
Sluggo Music Technology LLC, Copyright 2016
All Rights Reserved**

1 Overview

- 1.1 Introduction
- 1.2 Features

2 Controls

- 2.1 Front Panel Layout
- 2.2 Preamp Controls
- 2.3 Rear Panel Layout
- 2.4 Rear Panel Jack Description
- 2.5 Internal Preamp Controls

3 Operation

- 3.1 Operating Instructions
- 3.2 External Effects Patching
- 3.3 Preamp tone settings

4 Technical

- 4.1 Specifications
- 4.2 Block Diagram

1.1 Introduction

Thank you for purchasing the SUNCOAST G2p Guitar Preamp. It is our commitment to providing our customers with the highest quality, musical instrument processors, designed and built in the USA. Utilizing our vast knowledge of classic designs from the past 50 years, we set out to recreate that unique sound from some of our personal favorite artists.

1.2 Features

The following is a summary of your G2p Guitar Preamp's unique features:

- The Ultimate Solid-State Guitar Preamp in a pedal. Use your guitars' volume to go from Clean to Crunch.
- The Boost footswitch engages a 2nd parallel distortion Preamp with internal EQ for harmonic rich Leads.
- Buffered FX Loop – Send (Preamp Out) > Return (Limiter In)
- Active +/-15dB , Treble, Middle and Bass EQ with continuously variable Midrange Frequency control.
- Limiter footswitch with variable Threshold control to keep a lid on your snappiest Rhythms.
- 100% discreet analog circuit design utilizing low noise, precision surface mount technology.
- Ultra quiet 560KHz switch mode DC supply for +/-15V internal operation, 26V peak to peak Dynamic Headroom.
- Solid, Diecast Aluminum Enclosure, Durable Black Satin Powder Coating - Dimensions 4.7 x 7.4 x 1.3"

2.1 Front Panel Layout



2.2 Preamp Controls

Limiter - This control adjusts the limiter threshold for when it kicks in.

Volume – The Volume control adjusts the output level of the preamp.

Bass – This tone control adjusts the amount of low frequencies.

Freq - This control adjusts the midrange center frequency.

Middle - This tone control adjusts the amount of midrange frequencies.

Treble - This tone control adjusts the amount of high frequencies.

Drive – The Drive control adjusts the input level of the preamp.

Limiter Footswitch – Turns the Limiter On/Off.

Boost Footswitch – Engages the Overdrive Preamp.

Bypass Footswitch – True Bypass, turns the Preamp On/Off.

2.3 Rear Panel Layout



2.4 Rear Panel Jack Description

Power Input - Power input jack, 9VDC @ 250mA (Center–Negative).

Input - Main instrument input jack.

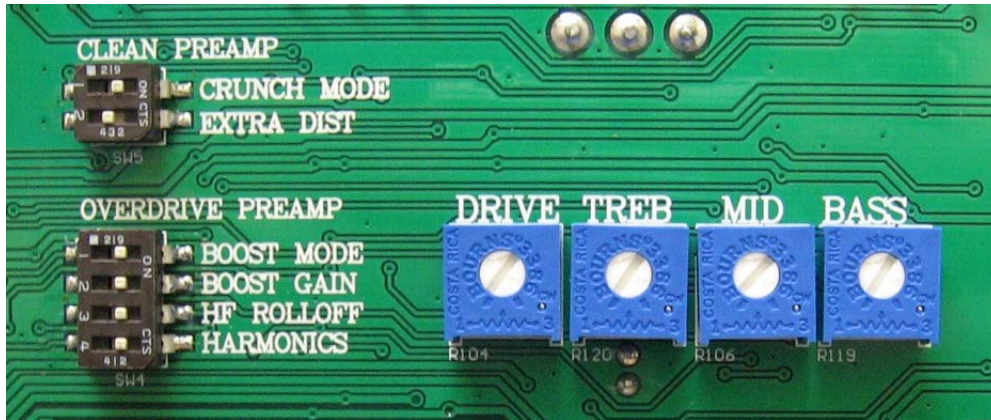
Output - Main preamp output jack.

Boost Vol - Boost Volume for blending Overdrive preamp with clean tone.

Send - Effects Loop Send jack, (preamp out).

Return - Effects Loop Return jack, (limiter in).

2.5 Internal Preamp Controls



Clean Preamp Dip Switch

1. Crunch Mode – Adds +20dB Mid/Treble boost to Clean preamp.
2. Extra Distortion – Adds clipping distortion to Clean preamp.

Overdrive Preamp Dip Switch

1. Boost Mode – Adds +20dB Mid/Treble boost to Boost preamp.
2. Boost Gain – Adds extra gain for Overdrive when in Boost Mode.
3. HF Rolloff – Attenuates high frequencies over 6Khz.
4. Harmonics – Selects even (off) or odd (on) harmonics

Overdrive Preamp EQ

1. Drive – Adjusts the input gain of Overdrive Preamp.
2. Treble – Active +/-15dB High frequency tone control (4KHz).
3. Middle – Active +/-15dB Mid frequency tone control (500Hz).
4. Bass – Active +/-15dB Low frequency tone control (50Hz).

3.1 Operating Instructions

- Always connect your instrument input and preamp output prior to turning the unit or pedal board ON.
- Use only quality coaxial instrument cable (guitar cord) patching your preamp to your amplifier.
- Always connect the unit a proper power source and use a grounded outlet strip, otherwise a shock hazard may result, especially when the unit is connected to other equipment.
- The universal 9VDC, 800mA adapter supplied with the pedal is rated at 100-240VAC, 50-60Hz operation. Use the proper adapter for your country.
- Do not expose this unit to rain or excessive moisture. This may cause a shock hazard or damage to the unit.

SAFETY NOTICE: There are no user serviceable parts inside the unit. Refer servicing to qualified personnel only.

3.2 External Effects Patching

Guitar > Wah > Flange > Chorus > G2p Input

G2p Send > Vol Pedal > Delay > Reverb > Noise Gate > G2p Return

G2p Output > Power Amplifier > Speaker

3.3 Preamp Tone Settings

These settings are merely a suggested starting point from which you can set to your own personal taste.

Limiter - 5

Volume – 7 (adjust for desired loudness)

Bass – 5

Freq - 4

Middle – 3

Treble – 4

Drive – 5

4.1 Specifications

Input Voltage – 9VDC

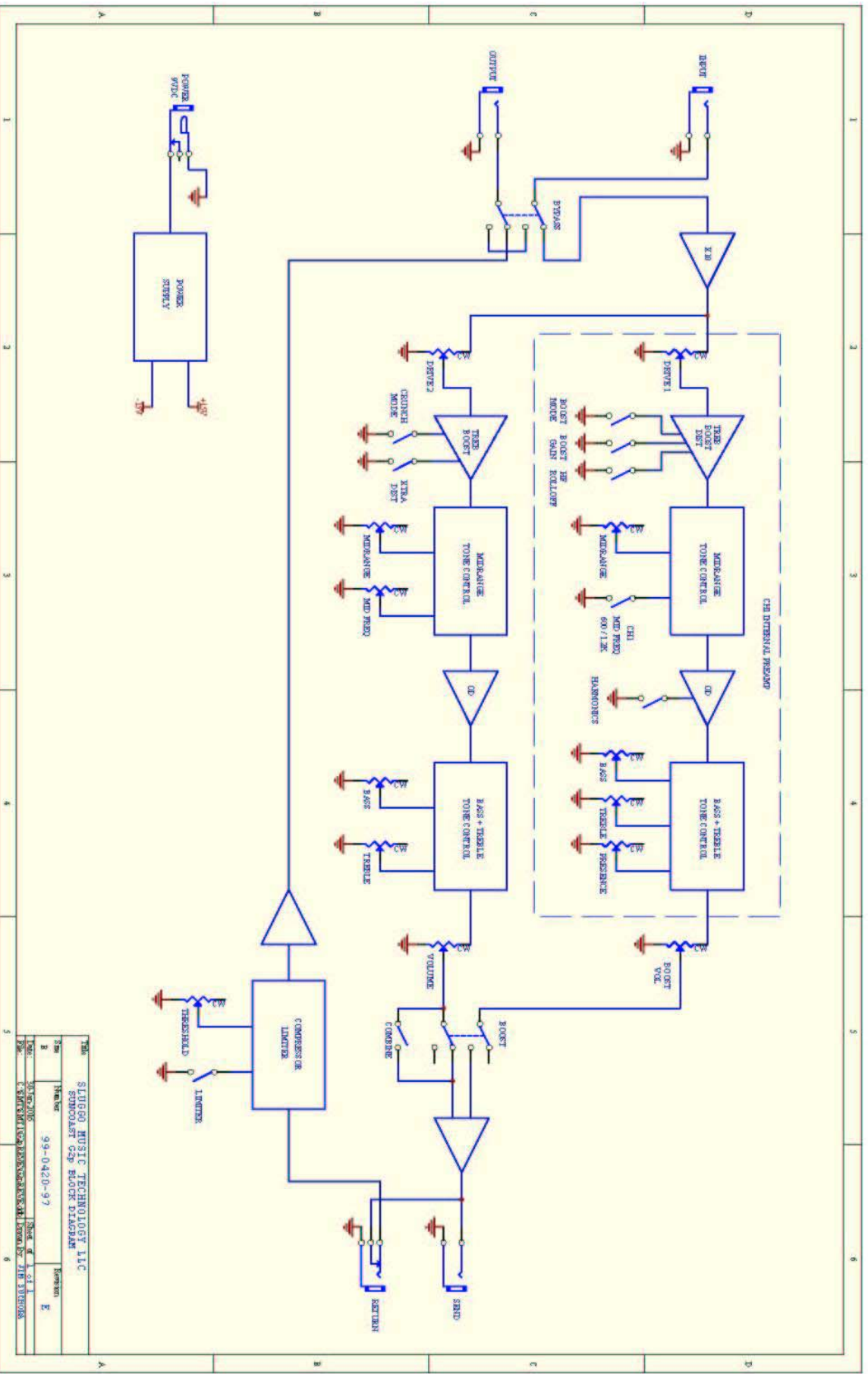
Current Consumption – 250mA

Input Impedance – 4.7 Meg Ohm

Output Impedance – 560 Ohms

Dimensions – 7.4”W x 4.7”H x 1.3”D

Weight – 1.1lbs



| | | | |
|-------------------------|-------------|-----------------------------|----------|
| TMR | | SLUGGO MUSIC TECHNOLOGY LLC | |
| REV | | SYNCOAST CSP BLOCK DIAGRAM | |
| REV | DATE | REV | DATE |
| B | 30 OCT 2016 | 99-0420-97 | 10/20/16 |
| DESIGNED BY: JIM STUBBS | | DRAWN BY: JIM STUBBS | |
| SHEET 1 OF 1 | | E | |